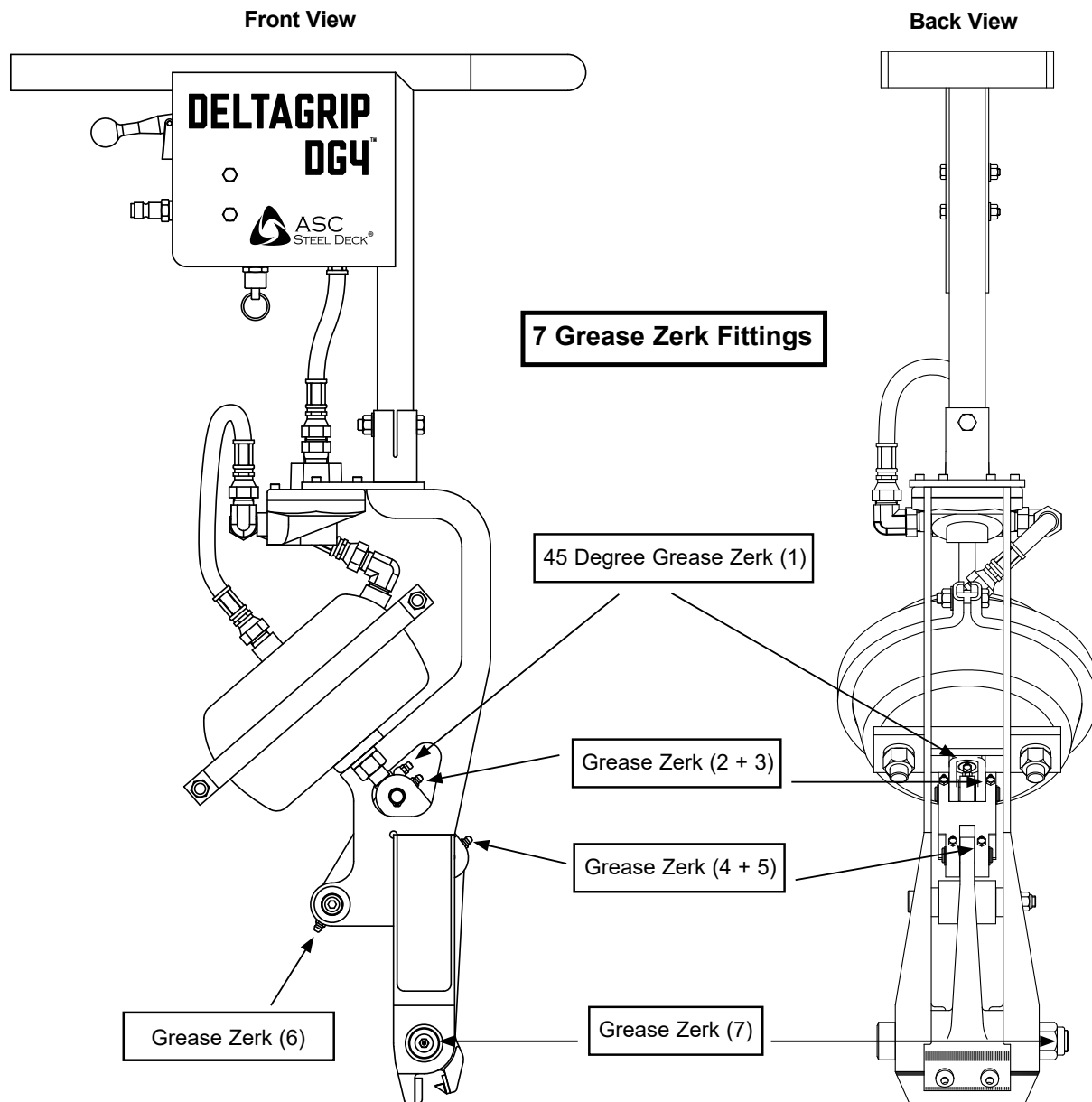


Daily Maintenance - Lubrication Points

Proper lubrication of the tool through the 7 Grease Zerk Fittings should be performed as daily maintenance.



Please note that daily maintenance of this tool is required and is the responsibility of the tool user. Failure to do so can damage the shoulder screw, shackle pin, jaw, and frame. The renter of this tool (ASC Steel Deck Customer) will be responsible for all costs associated with the repair or replacement of damaged parts up to the value of complete tool replacement.